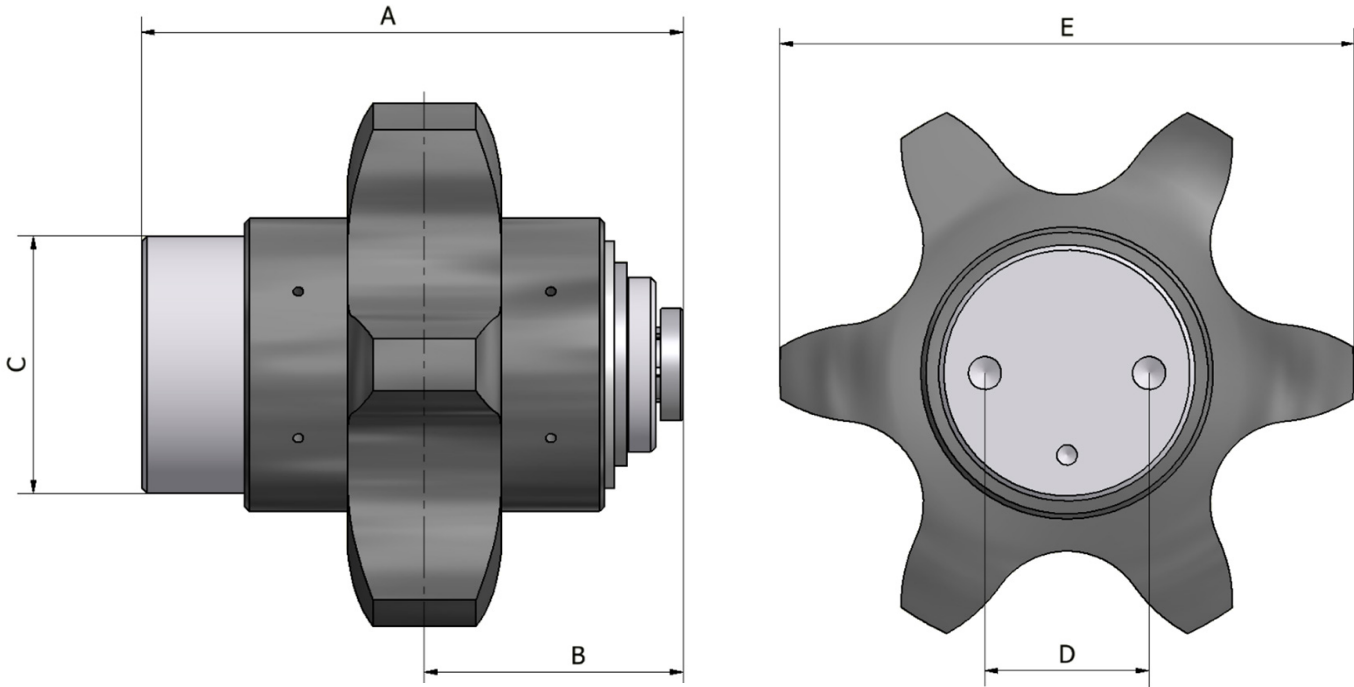


LC simplex applicators - BS & ANSI chains



Chain Size	Part No.	A (mm) MAX	B (mm) MAX	C (mm)	D (mm)	E (mm)	Inlet (mm)
3/8"	RSL-LC-3/8	41.7	20.7	Ø 24	16 mm 2 x M4	Ø40	Ø6 O.D
1/2"	RSL-LC-1/2	41.7	20.7	Ø 24	16 mm 2 x M4	Ø44	Ø6 O.D
5/8"	RSL-LC-5/8	44.5	22.0	Ø 24	16 mm 2 x M4	Ø52	Ø6 O.D
3/4"	RSL-LC-3/4	45.7	22.7	Ø 24	16 mm 2 x M4	Ø48	Ø6 O.D
1"	RSL-LC-1	56.7	28.2	Ø 24	16 mm 2 x M4	Ø56	Ø6 O.D
1 1/4"	RSL-LC-1 1/4	62.7	32.7	Ø 24	16 mm 2 x M4	Ø70	Ø6 O.D
1 1/2"	RSL-LC-1 1/2	58.0	30.50	Ø 24	23 mmPCD 2 x M4	Ø105	1/8" BSP Female

Dimensions A & E =/- 1.0mm

Applicator Specification

Inlet	6mm push-in type RSL-LC-1 1/2" threaded
Temperature	Minimum 0°C, Maximum +65°C
Material	Aluminium shaft and black acetal sprocket
Air Pressure	Maximum 30PSI
Max Speed	40m per minute
Bracket	Use standard LC bracket 2689-021 or own bracket

Note:

Please use recommended lubricants. LC Rotalubes can be used with aerosols, air lubricators.

