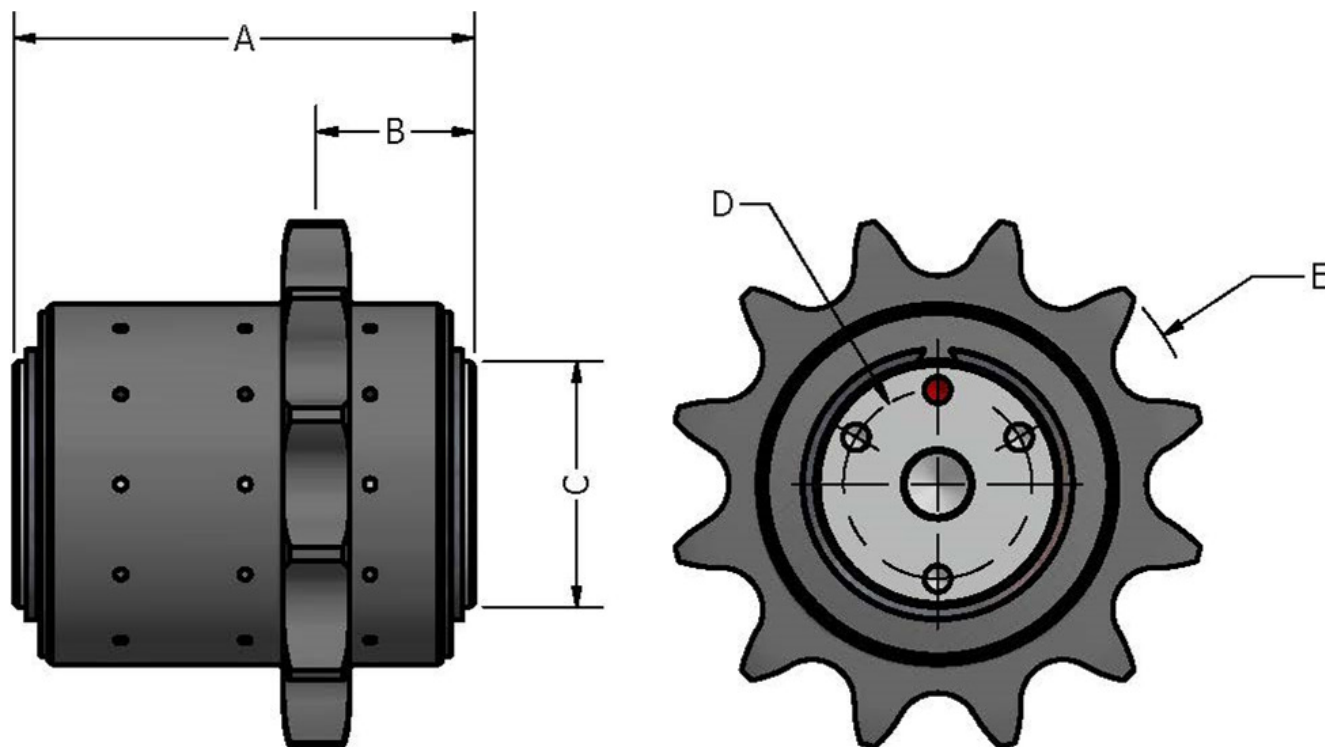


LC duplex applicators - British and American Standard



| Chain Size ANSI & BS | Part No. | A (mm) | B (mm) | C (mm) | D (mm) PCD | E (mm) DIA | Fixing Thread X3 |
|-------------------------|---------------|--------|--------|--------|------------|------------|------------------|
| 3/8" | RSL-LCD-3/8 | 43.9 | 16.8 | 30.0 | 23.0 | 60.0 | M4 x 0.7-6H |
| 1/2" | RSL-LCD-1/2 | 50.7 | 18.3 | 30.0 | 23.0 | 60.0 | M4 x 0.7-6H |
| 5/8" | RSL-LCD-5/8 | 56.2 | 19.3 | 30.0 | 23.0 | 66.0 | M4 x 0.7-6H |
| 3/4" | RSL-LCD-3/4 | 63.5 | 21.1 | 30.0 | 23.0 | 70.0 | M4 x 0.7-6H |
| 1" | RSL-LCD-1 | 79.8 | 24.5 | 30.0 | 23.0 | 80.0 | M4 x 0.7-6H |
| 1 1/4" | RSL-LCD-1 1/4 | 90.1 | 26.9 | 30.0 | 23.0 | 94.0 | M4 x 0.7-6H |
| 1 1/2" | RSL-LCD-1 1/2 | 106.4 | 28.5 | 30.0 | 23.0 | 105.0 | M4 x 0.7-6H |

Applicator Specification

| | |
|--------------|--|
| Inlet | 1/8" BSPF inlet threaded |
| Temperature | Minimum -20°C, Maximum +70°C |
| Material | Aluminium body and black acetal sprocket |
| Air Pressure | Maximum 30PSI |
| Max Speed | 40m per minute |
| Fixing point | There are two additional fixing holes on the reverse side for additional stability |



Note:

Please use recommended lubricants. LC Rotalubes can be used with aerosols, air lubricators.